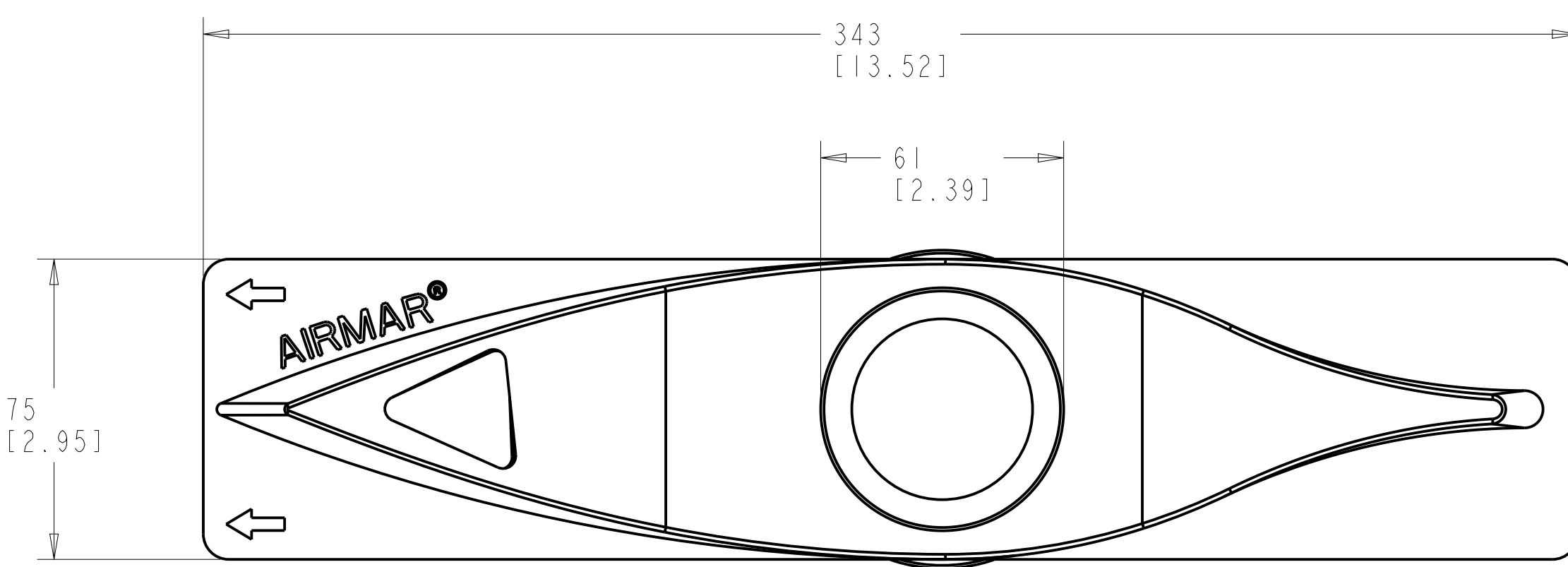
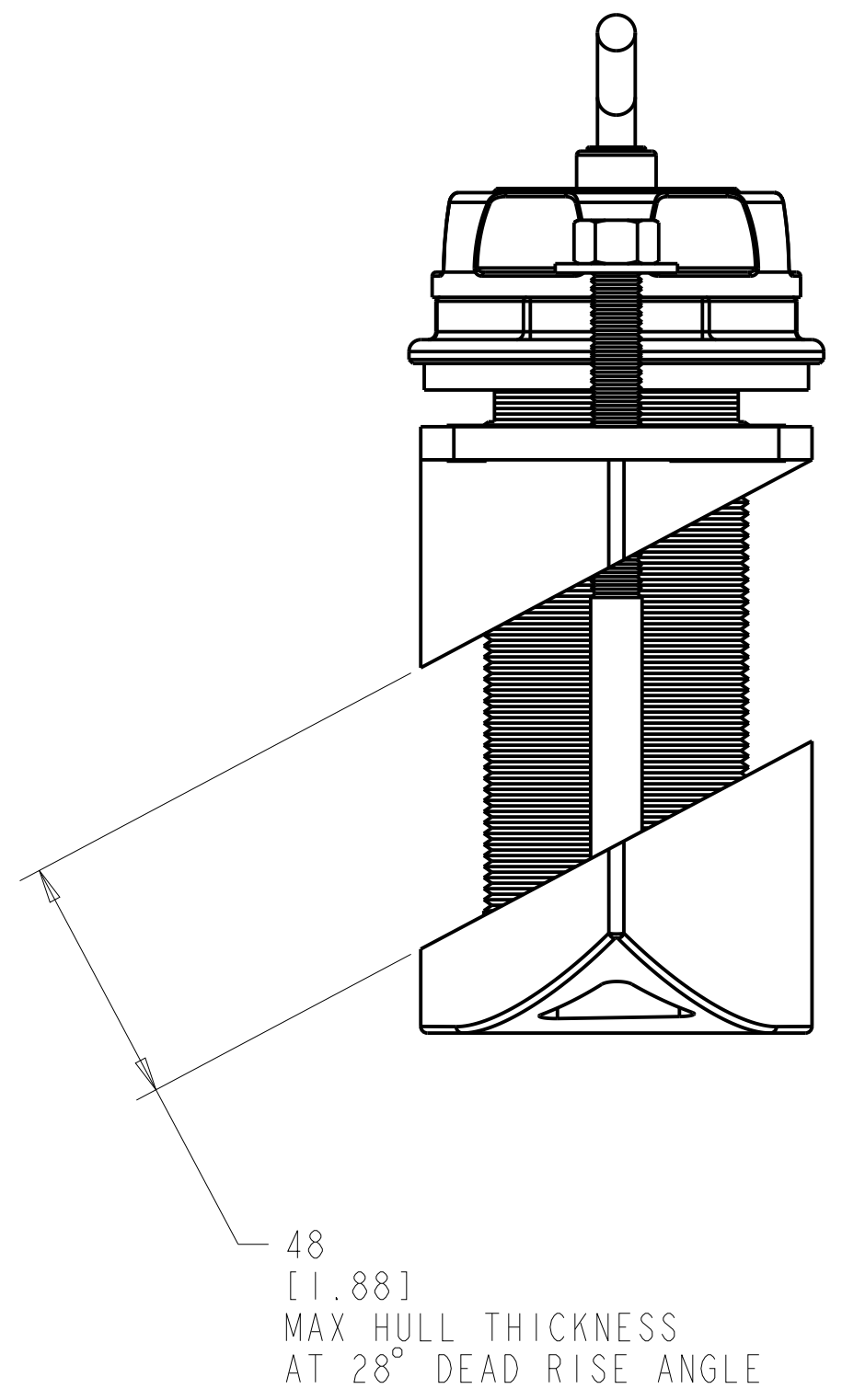
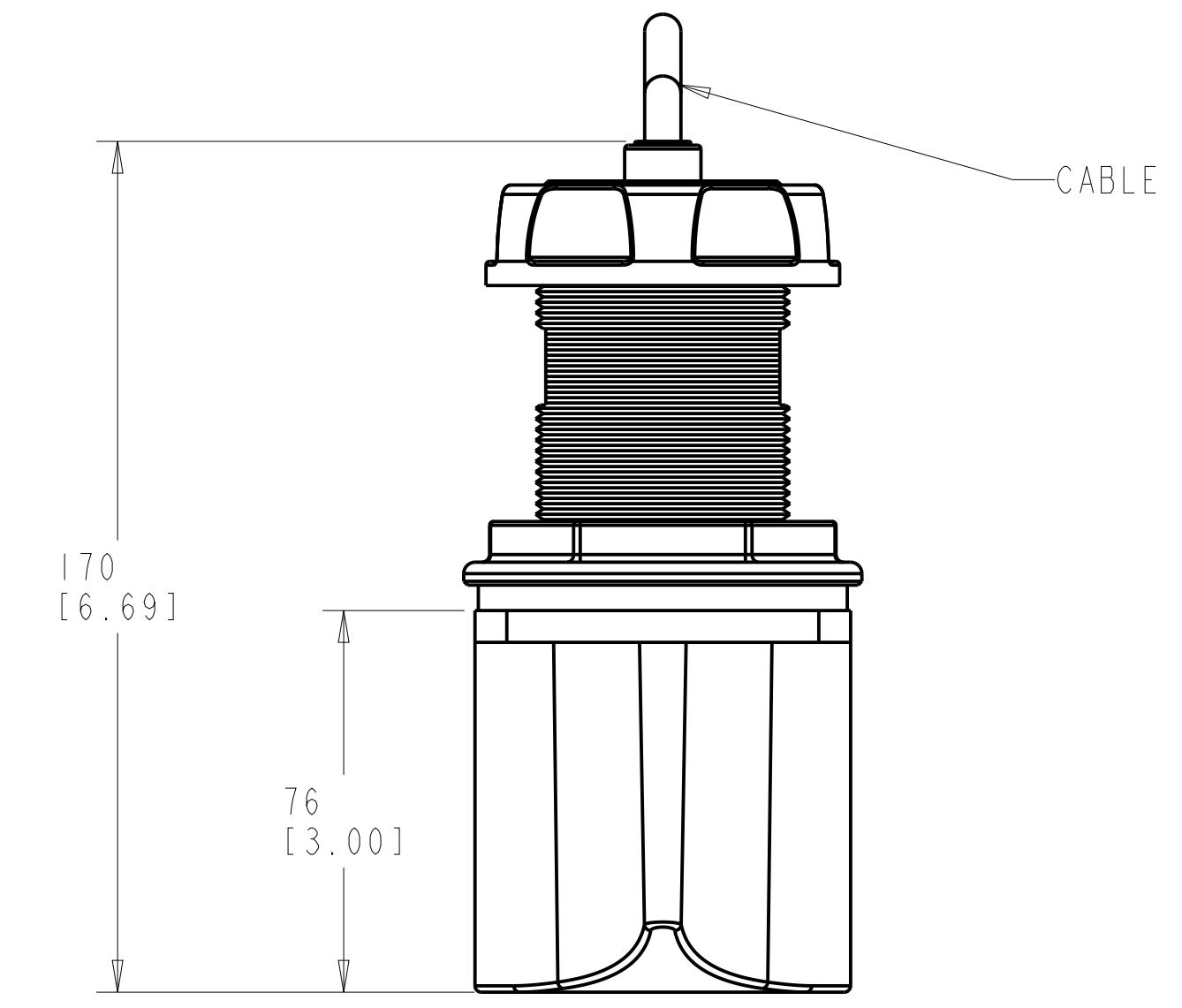
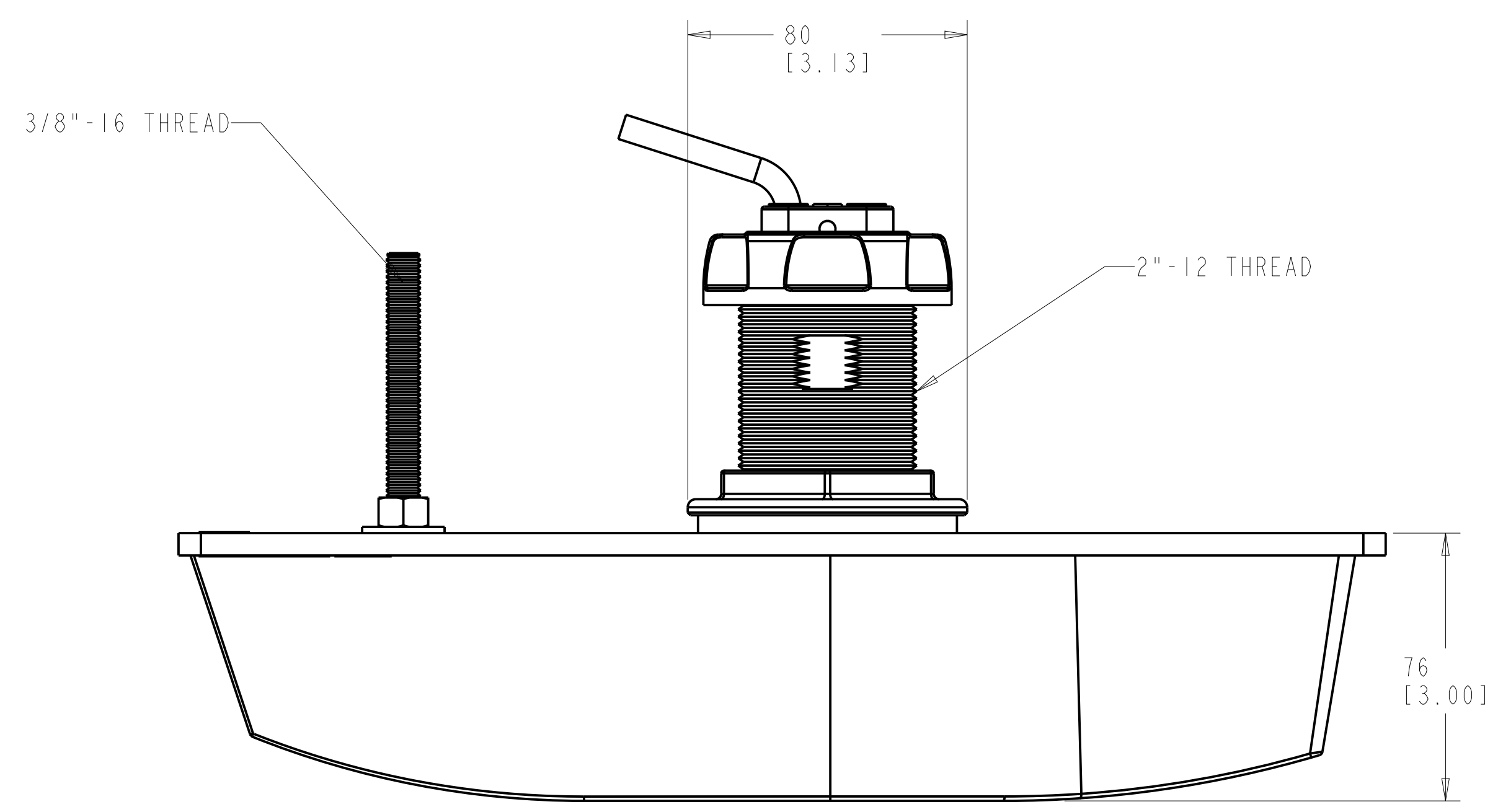
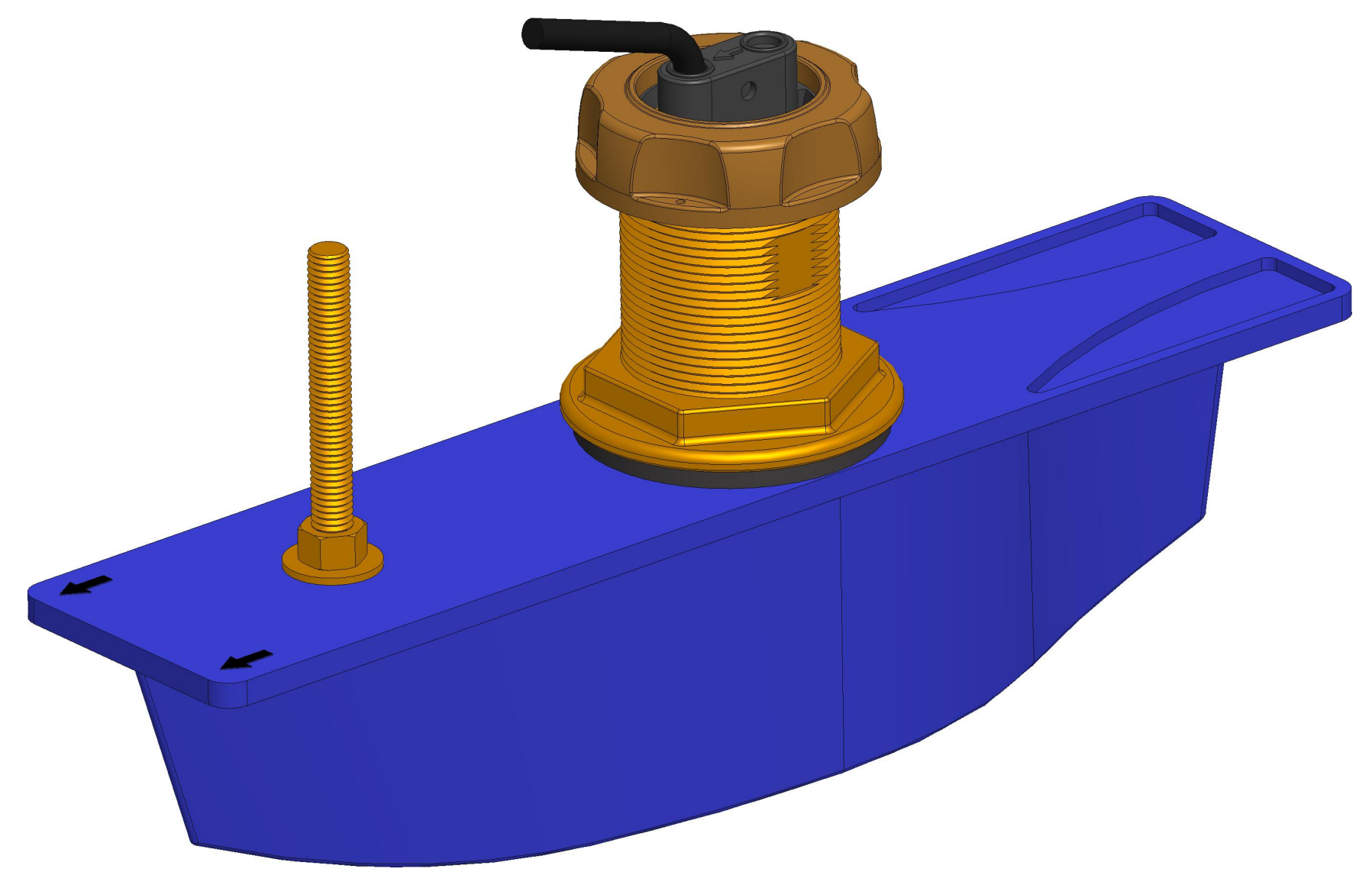
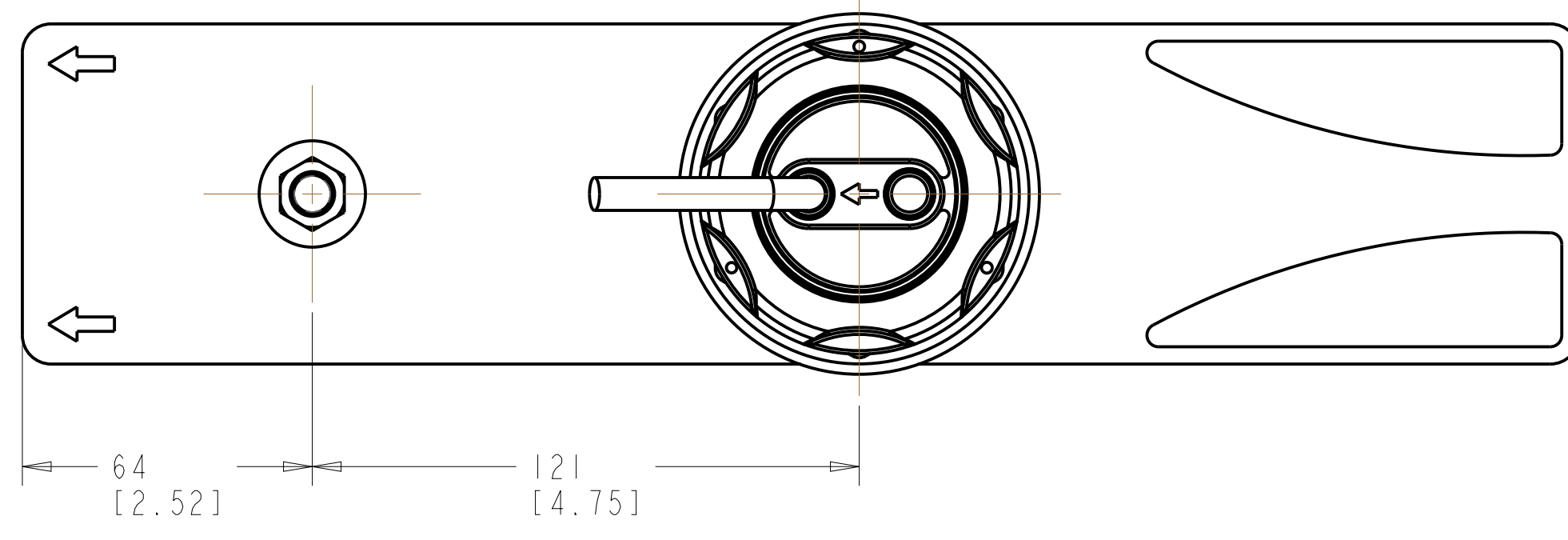


THIRD ANGLE PROJECTION		DOCUMENT REVISIONS			
REV	DESCRIPTION	CO. NO.	DATE	CHG/CHK	
1	INITIAL RELEASE	2437	02/25/21	--	



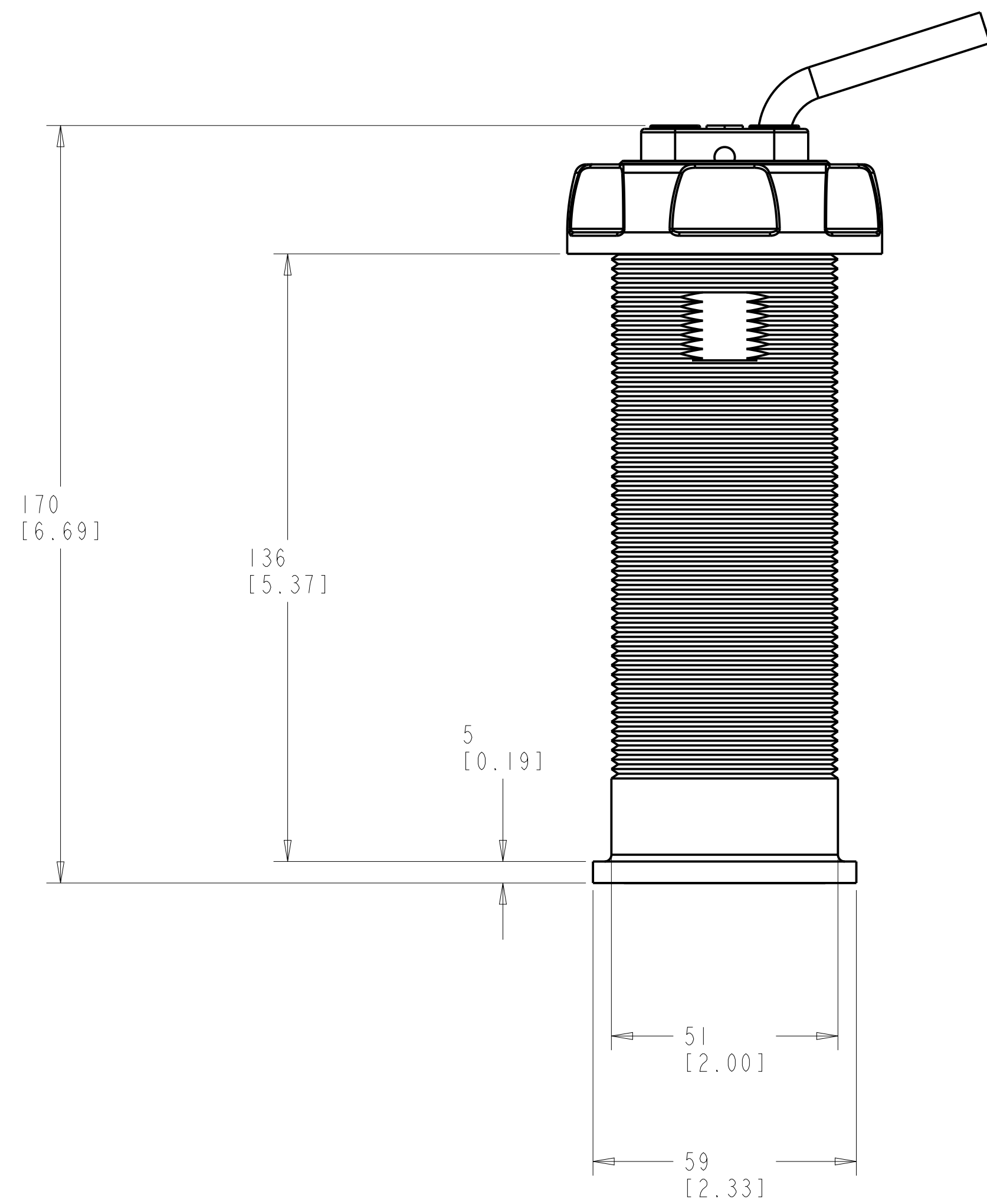
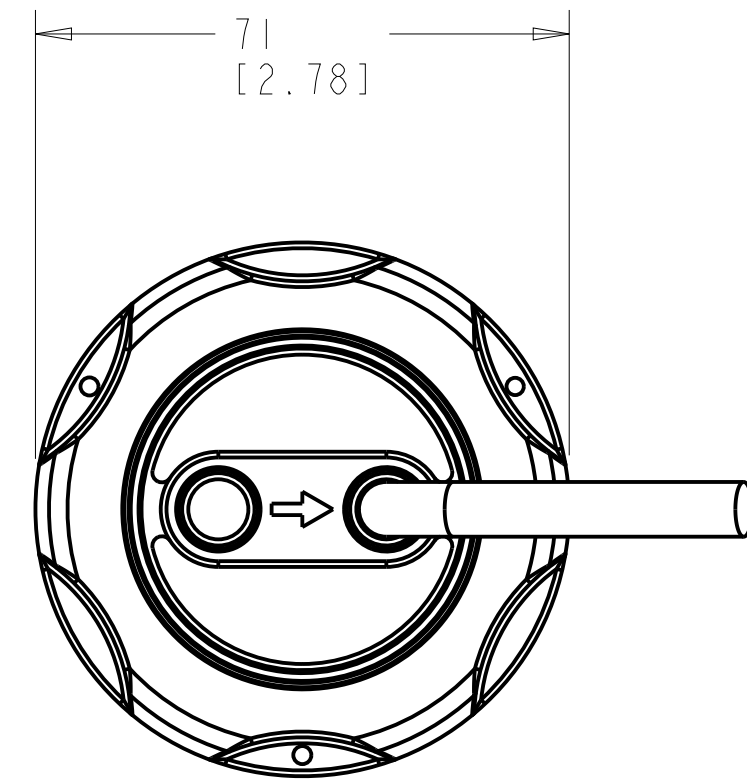
UNLESS OTHERWISE SPECIFIED	SIGNATURE	DATE
DIMENSIONS ARE IN MM	DRAWN: D.SPALDING	06/06/18
TOLERANCES ON	CHECKED: E.BEISWENGER	08/20/18
0 PL DECIMALS: ±2		
1 PL DECIMALS: ±0.5		
ANGLES: ±1/2°		
FRACTIONS: ±1/16		

PART NUMBER		N/A		P/N REV		N/A	
				AIRMAR TECHNOLOGY CORPORATION 35 MEADOWBROOK DR. MILFORD, NH 03055-4613 USA TEL: 603-673-9570 FAX: 603-673-4624			
				TITLE			
MATERIAL				HOUSING, NUT: BRONZE		SIZE	
				ACOUSTIC WINDOW: URETHANE		SCALE: 3/4	
				FAIRING: IMPACT RESISTANT PLASTIC		SHEET 1 OF 2	
						DOC NUMBER	
						D-14028	
						DOC REV	
						1	

THIS DOCUMENT AND THE DATA DISCLOSED HEREIN OR HERewith IS NOT TO BE REPRODUCED, USED, OR DISCLOSED IN WHOLE OR IN PART TO ANYONE WITHOUT THE PERMISSION OF AIRMAR.

CRITICAL DIMENSION

(REF)



PART NUMBER	N/A	P/N REV	N/A
-------------	-----	---------	-----

AIRMAR AIRMAR TECHNOLOGY CORPORATION
 35 MEADOWBROOK DR.
 MILFORD, NH 03055-4613 USA
 TEL: 603-673-9570 FAX: 603-673-4624

TITLE
 B122 OUTLINE DRAWING

SIZE	SCALE: FULL	DOC NUMBER	DOC REV
D	SHEET 2 OF 2	D-14028	1

THIS DOCUMENT AND THE DATA DISCLOSED HEREIN OR HERewith IS NOT TO BE REPRODUCED, USED, OR DISCLOSED IN WHOLE OR IN PART TO ANYONE WITHOUT THE PERMISSION OF AIRMAR.

CRITICAL DIMENSION (REF) DO NOT SCALE DRAWING