

Mounting template

24" units

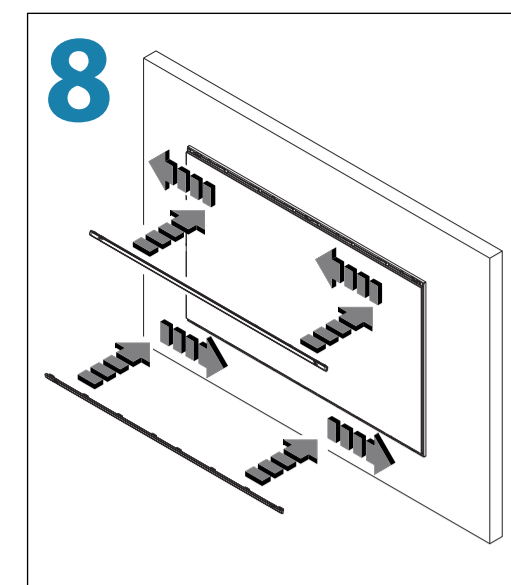
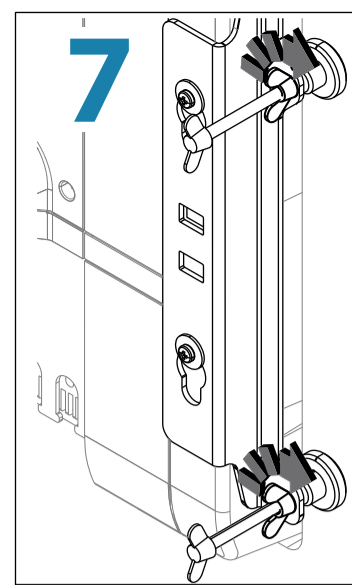
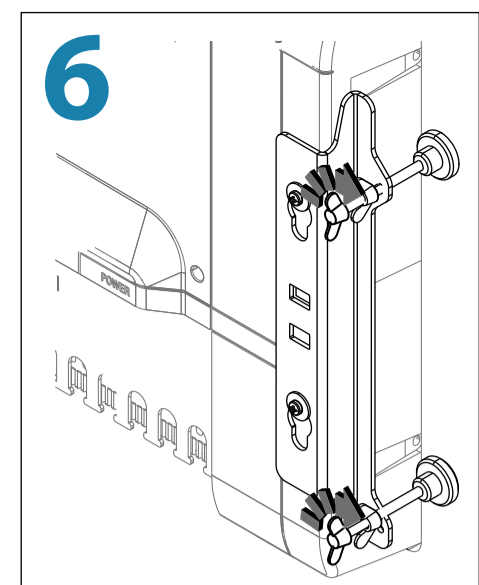
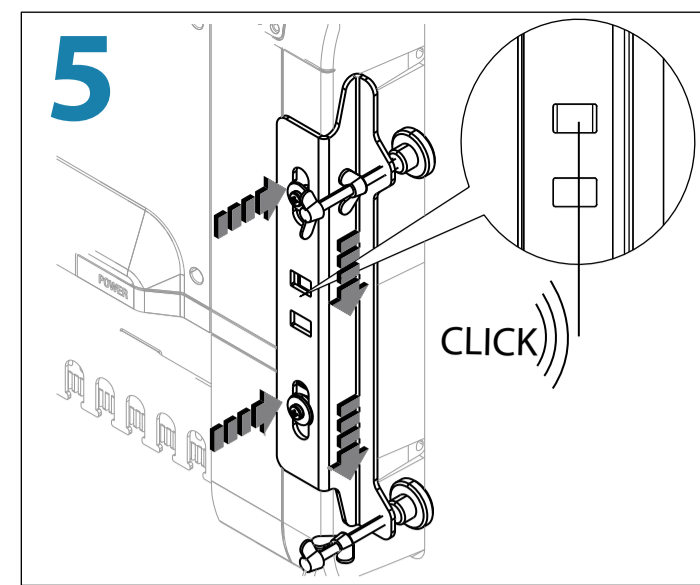
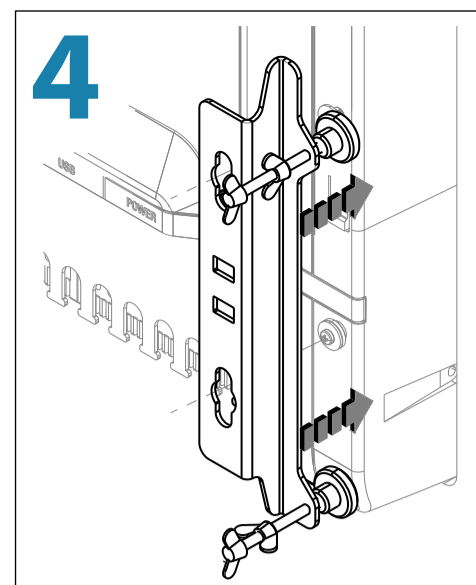
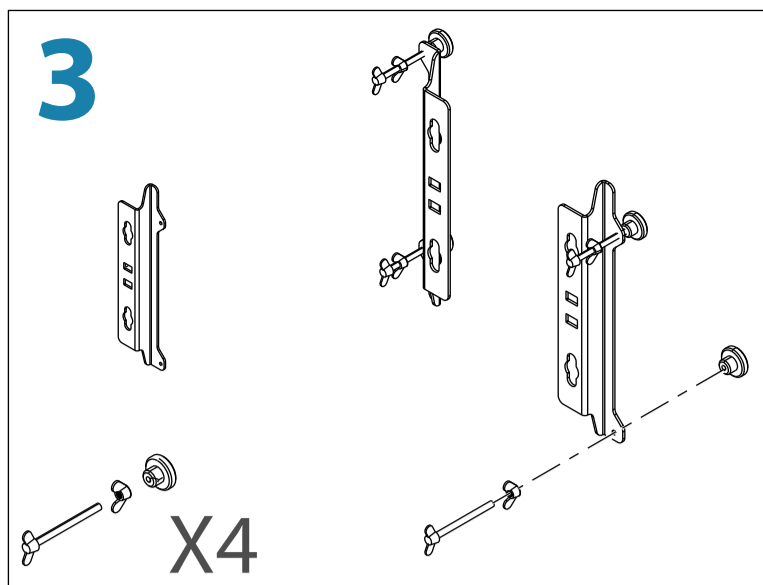
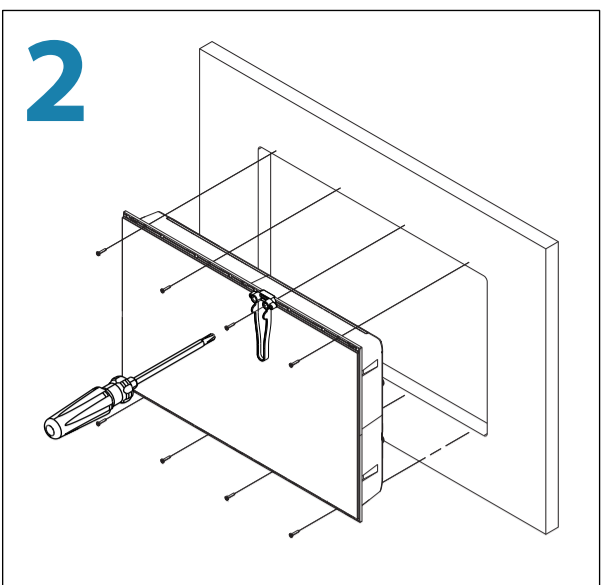
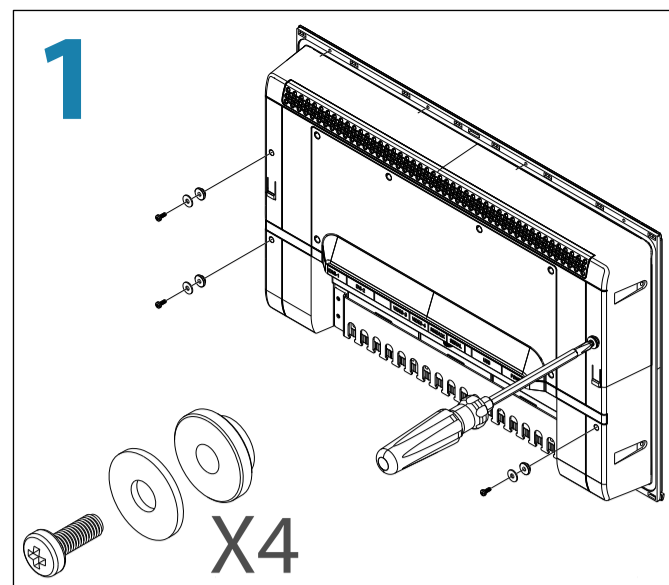
NSO evo3/NSO evo3S

Zeus³ Glass Helm

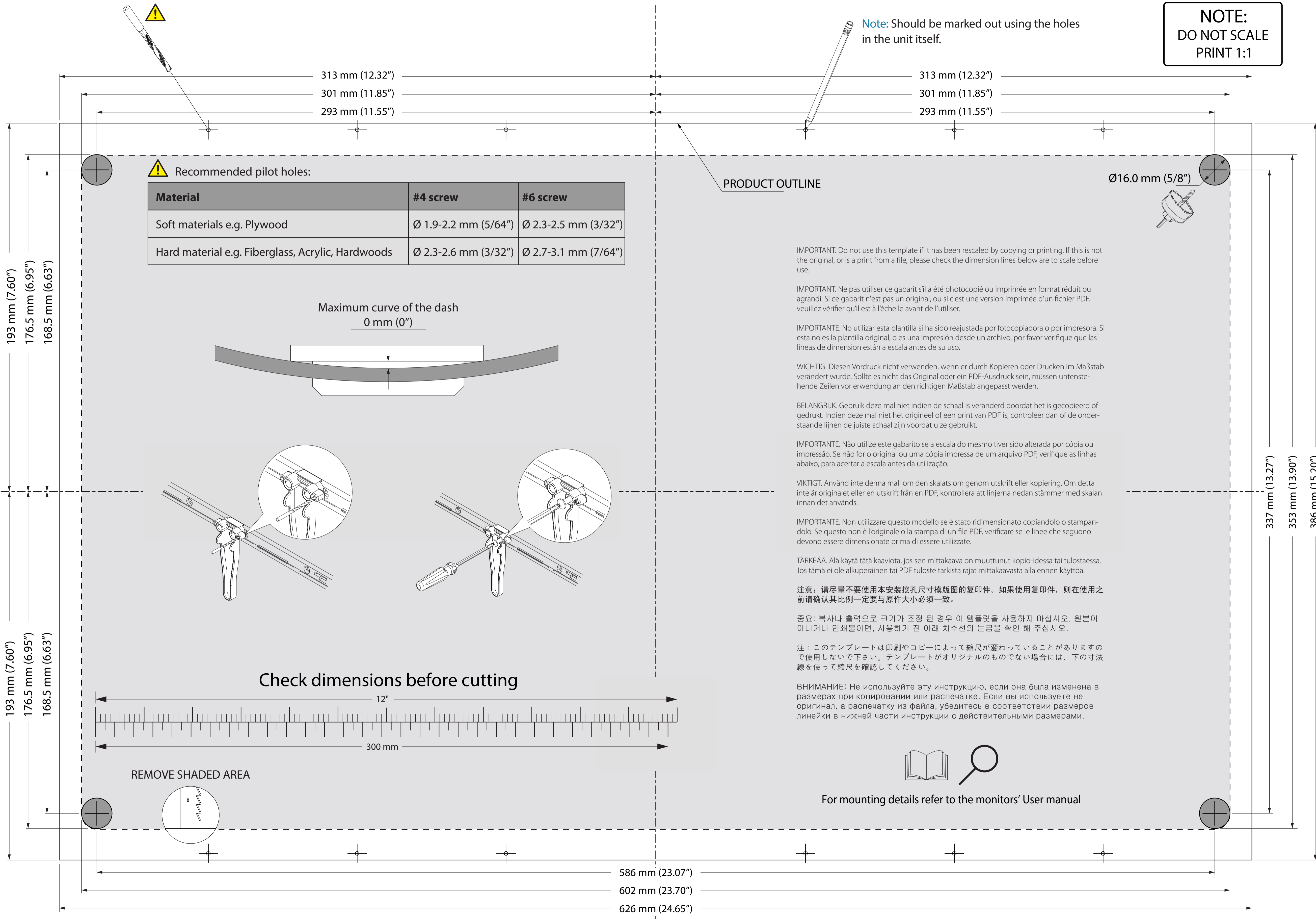
Zeus³S Glass Helm



MAX 25.4 mm

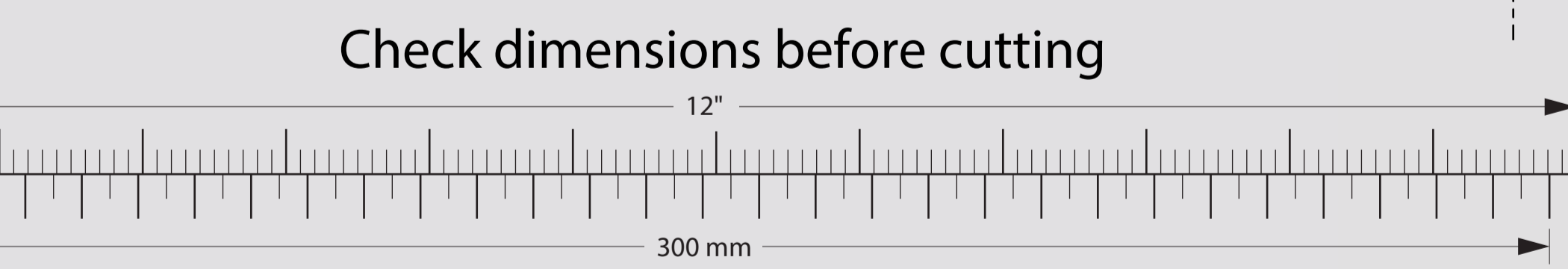
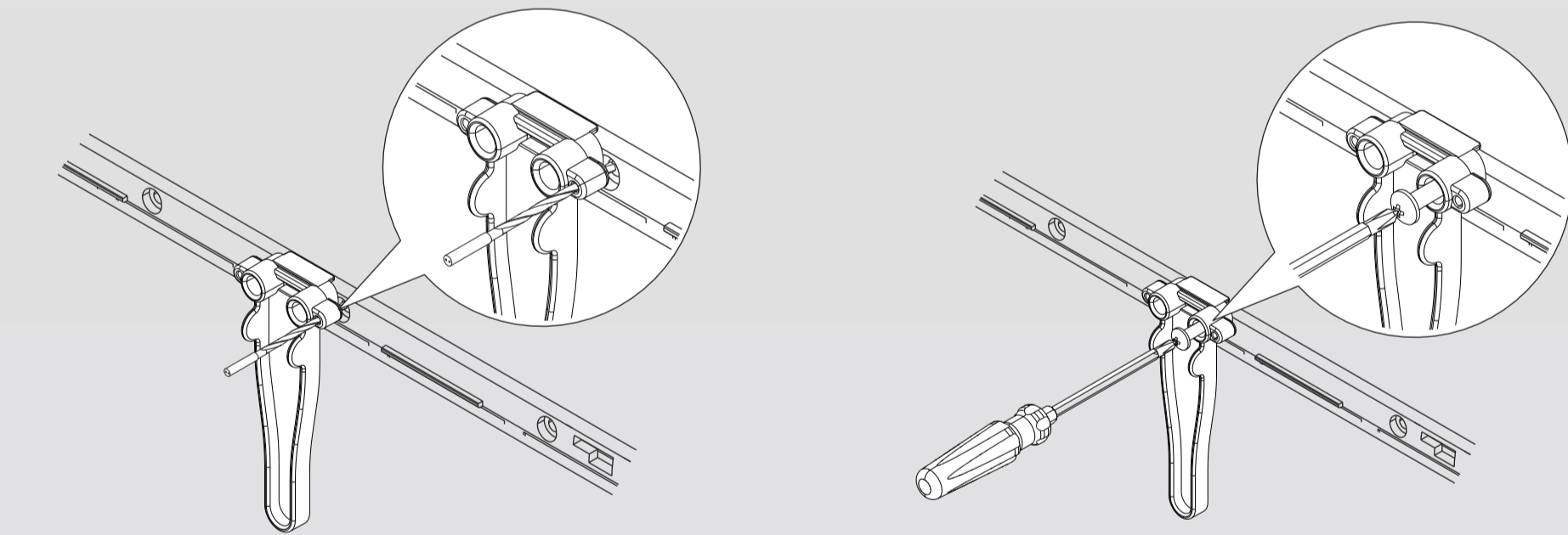
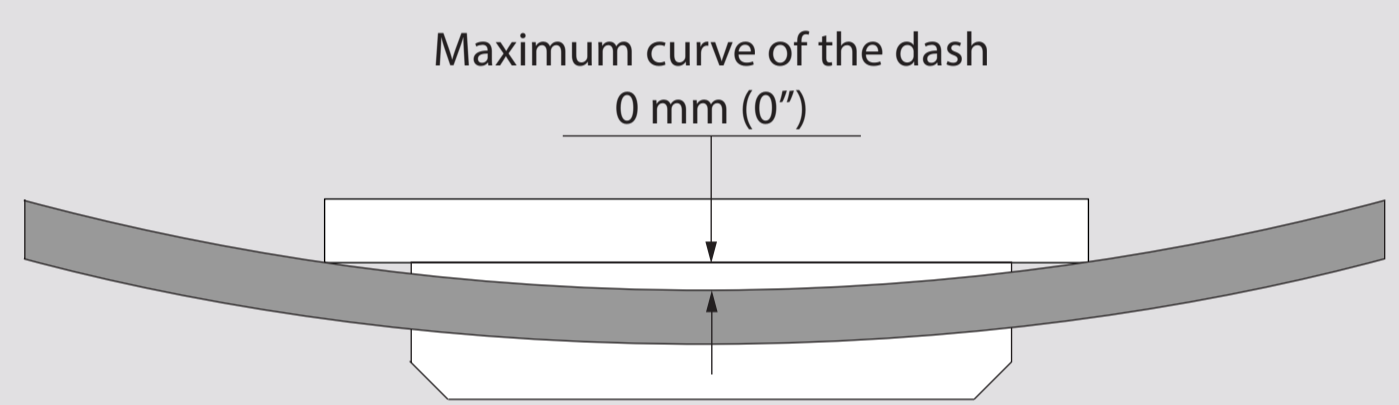


NOTE:
DO NOT SCALE
PRINT 1:1



Recommended pilot holes:

| Material | #4 screw | #6 screw |
|---|----------------------|----------------------|
| Soft materials e.g. Plywood | Ø 1.9-2.2 mm (5/64") | Ø 2.3-2.5 mm (3/32") |
| Hard material e.g. Fiberglass, Acrylic, Hardwoods | Ø 2.3-2.6 mm (3/32") | Ø 2.7-3.1 mm (7/64") |



REMOVE SHADED AREA

For mounting details refer to the monitors' User manual

