



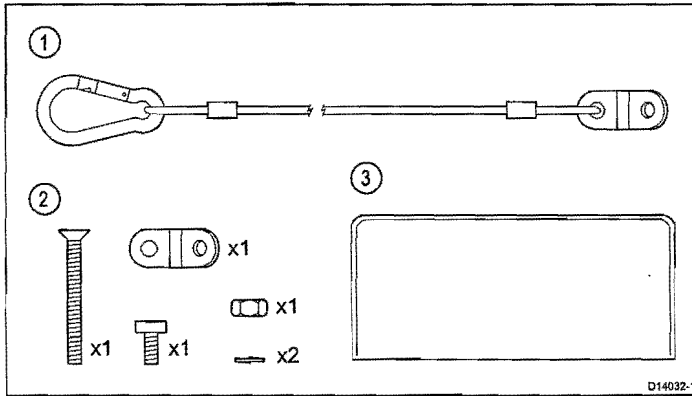
M100/M200-Series Camera Safety Lanyard Installation instructions

Applicable products

This document is applicable to the following product:

- M100/M200-Series Camera Safety Lanyard (A80576).

Parts supplied



1. Lanyard with carabiner and camera bracket
2. Fixings
3. Documentation (including mounting template)

Installing the safety lanyard

Use these instructions to prepare the mounting surface and install the safety lanyard.

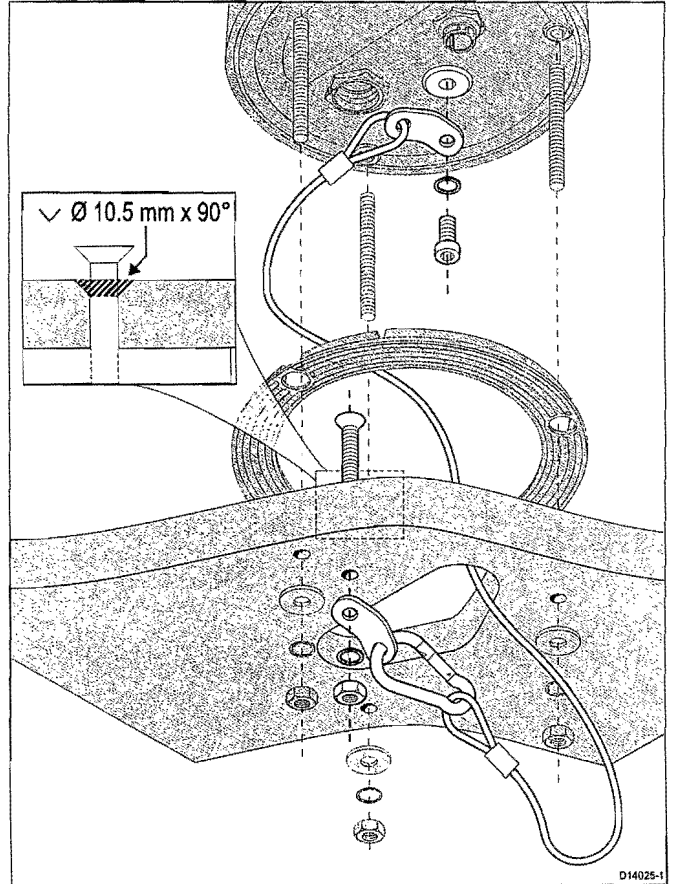
Note: Refer to the M100/M200-Series Thermal Camera Installation and Operation Instructions (document number 71001) for additional information about locating and mounting the camera. This instruction sheet describes the installation of the safety lanyard only.

1. Using the template supplied (document no. 87353), mark and drill the holes to accommodate the safety lanyard, and if necessary, the camera mounting studs.

Mounting holes care points:

- Check the dimensions of any printed template (to ensure that the template is printed to the correct scale) prior to drilling any holes.
 - Note the camera forward markings on the camera base, and make sure the template is oriented properly relative to the bow of the vessel. This is affected by whether the camera is to be mounted ball-up or ball-down.
2. Countersink the hole for the bolt that attaches the lanyard to the mounting surface, as shown in the following illustration, and on the mounting template.
 3. Apply thread locking compound to the supplied cap-head bolt (12 mm long), fit the spring washer, and attach the end of the lanyard with the fixed bracket to the mounting hole on the camera's base. Tighten the bolt to a torque of 3.7 Nm (2.7 lb-ft).

4. Using the supplied countersink-head bolt (50 mm long), spring washer and nut, attach the separate angle bracket to the underside of the mounting surface. Tighten the nut to a torque of 3.7 Nm (2.7 lb-ft).



5. Thread the free end of the lanyard through the surface, and place the camera in its final installed position.
6. Confirm that there is enough slack in the lanyard to clip the carabiner through the hole in the fixed bracket on the underside of the mounting surface.
7. Finish mounting the camera, according to the manual.
8. Clip the lanyard carabiner to the angle bracket attached to the underside of the mounting surface, and secure the carabiner's gate-locking mechanism.

Note: FLIR strongly recommends that you check the condition and security of the safety lanyard, and the camera unit itself, on a yearly basis (or more frequently depending on environmental applications). Any fittings should be replaced as appropriate.

Using the safety lanyard with the top-down riser kit

The M100/M200-Series camera is supplied with a top-down riser kit. This may be useful when access to the underside of the mounting surface is restricted.

When using the top-down riser, you will not need to access the underside of the mounting surface to tighten the camera stud nuts. However, you will require sufficient access to attach the lanyard angle bracket to the underside, and to clip the lanyard carabiner to the bracket.

See the Installation and Operation Instructions supplied with your camera (doc. no. 71001) for further information about mounting the camera with the top-down riser. A separate riser mounting template is also supplied (doc. no. 77003).

Use the mounting template supplied with the safety lanyard (doc. no. 87353) to locate and drill the cutout to accommodate the lanyard, and the countersunk hole for the angle bracket fixed to the underside of the mounting surface.